

SOLAHART BLACK 295W SOLAR PANELS

SOLAHART295BLK

The new high-performance Solahart panel, with stylish black appearance, is the ideal solution for Australian homes thanks to its innovative and premium cell technology.

The state-of-the-art PERC monocrystalline cell was developed to achieve excellent performance under real conditions, even with low radiation intensity and on clear, hot summer days.

The black anodised aluminium frame has been built to withstand extreme weather conditions, including high winds, and reliable silicone connections ensure excellent stability and durability.

Other features include optimally positioned drainage holes to protect against frost damage, premium MC4 connecting plugs to secure a reliable connection, and a sealed junction box that offers corrosion protection and water resistance.

State-of-the-art cell technology:

For excellent performance under real conditions

Innovative all-weather technology:

Optimal yields, whatever the weather

Low electricity generation costs:

High energy produced per panel means you pay less for electricity generated

Stylish, efficient and durable:

Designed in Germany, manufactured in Korea and only available through Solahart.



ID. 40032587



**PREMIUM TECHNOLOGY
WITH A TOUCH OF
CLASS AND A STRIKING
BLACK FINISH**

HOW YOU BENEFIT



HIGH SOLAR YIELD

Innovative all-weather technology with excellent low-light and temperature behaviour results in more energy production per square metre.



HIGH PERFORMANCE

Long-term yield security with anti-LID technology, anti-PID Technology[^], Hot-Spot Protect and Solahart Quality Auditing.



EXTREME WEATHER RATING

High-tech aluminium alloy frame, certified for high wind loads and tested in Australia to resist the phenomenal pressures of 1 in 500-year cyclones.



SOLAHART WARRANTY

Enjoy a 12-year product warranty and a superior 25-year manufacturer's performance guarantee, for peace of mind.*

Technical Data

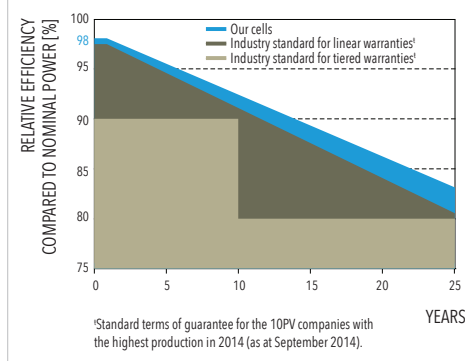
MODEL SOLAHART295BLK - 295W SOLAR PANEL

Mechanical Data	
Dimensions (H x W x D)	1670 x 1000 x 32 mm (including frame)
Weight	18.5 Kg
Front Cover	3.2 mm thermally pre-stressed glass with anti-reflection technology
Back Cover	Composite film
Frame	Black Anodised Aluminium
Cell	6 x 10 monocrystalline solar cells
Junction Box	Protection class \geq IP67, with bypass diodes
Cable	4 mm ² solar cable; (+) 1000 mm, (-) 1000 mm
Connector	Multi-Contact MC4, IP68

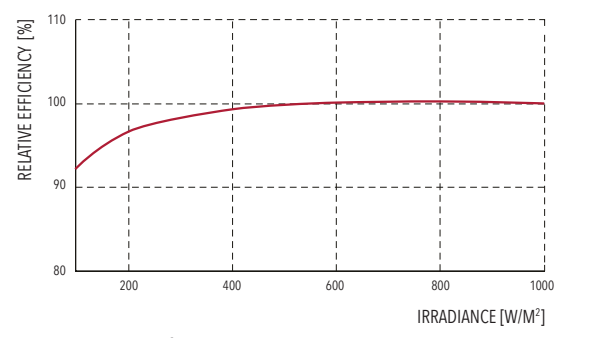
Electrical Data			
Minimum performance at standard test conditions, STC ⁽¹⁾ (Power Tolerance +5 W / -0 W)		Minimum performance at normal operating conditions, NMOT ⁽²⁾	
Power at MPP ⁽¹⁾ - P _{MPP}	295 Wp	Power at MPP - P _{MPP}	220.1 Wp
Short circuit current ⁽¹⁾ - I _{sc}	9.70 A	Short circuit current [#] - I _{sc}	7.82 A
Open circuit voltage ⁽¹⁾ - V _{oc}	39.48 V	Open circuit voltage [#] - V _{oc}	37.14 V
Current at MPP [#] - I _{MPP}	9.17 A	Current at MPP [#] - I _{MPP}	7.20 A
Voltage at MPP [#] - V _{MPP}	32.19 V	Voltage at MPP [#] - V _{MPP}	30.58 V
Efficiency ⁽¹⁾ - η	\geq 17.7		

⁽¹⁾ Measurement tolerances P_{MPP} \pm 3 %; I_{sc}; V_{oc} \pm 5 % at STC: 1000 W/m², 25 \pm 2°C, AM 1.5 G according to IEC 60904-3. ⁽²⁾ 800 W/m², NMOT, spectrum AM 1.5 G. # Typical values, actual values may differ.

Manufacturer's performance Guarantee



At least 98% of nominal power during the first year. Thereafter max 0.6 % degradation per year.
 At least 92.6% of nominal power up to 10 years.
 At least 83.6% of nominal power up to 25 years.
 All data within measurement tolerances.



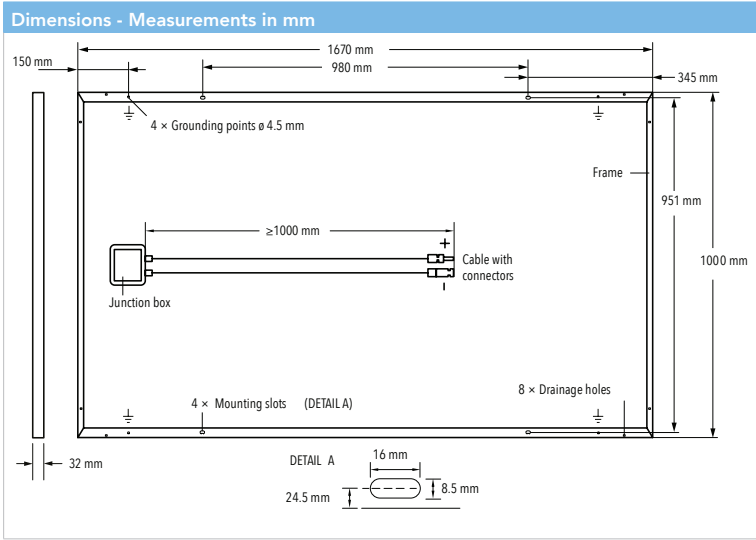
Temperature Coefficients	
Normal module operating temperature (NMOT)	43 \pm 3 °C
Temperature coefficient of P _{MPP} - γ	-0.39 % / K
Temperature coefficient of V _{oc} - β	-0.28 % / K
Temperature coefficient of I _{sc} - α	+0.04 % / K

Qualifications and Certificates
 VDE Quality tested, IEC 61215:2016; IEC 61730:2016, Application class A. This datasheet complies with DIN EN 50380.

Other information	
Part Number	SOLAHART295BLK
Solahart Warranty*	12 years
Country of Manufacture	Korea

Licence Holder and importer:
 Solahart Industries Pty Ltd., 1 Alan St. Rydalmere, NSW 2116, Australia.

Properties for System Design	
Permitted module temperature on continuous duty	-40°C up to +85°C
Maximum system voltage - V _{sys}	1000 V
Maximum reverse current - I _r	20 A
Maximum design load, Push / Pull	3600 / 2667 Pa
Maximum test load, Push / Pull	5400 / 4000 Pa
Safety class / Fire rating	II / C



*For full details see Solahart Owner's Guide & Installation Instructions. *APT test conditions according to IEC/TS 62804-1:2015, method B (-1500 V, 168 h).

