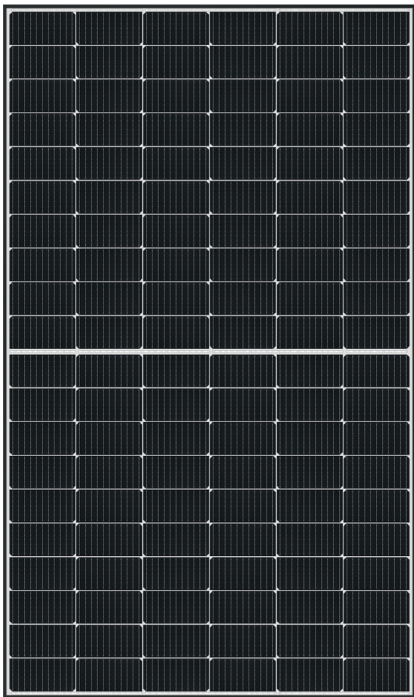


SUNCELL PLUS

N-TYPE COMMERCIAL SOLAR PANELS

SOLAHART485DH2



The new high-performance n-type dual-glass Solahart SunCell-Plus panel is not only great value but it's also custom-designed and built to Solahart's strict quality specifications. Offering positive tolerance of up to 5W ensures that each SunCell-Plus panel will have a rated maximum power on or above 485W at Standard Test Conditions (STC)⁽¹⁾.

With a high-efficiency rating of 22.5%, proven durability, an attractive black frame and an easy-to-install design, Solahart SunCell-Plus is the ideal solution for both commercial and residential applications.

SunCell-Plus comes with industry leading 30 Year Product Warranty and 30 Year Performance Guarantee. Performance Guarantee assures at least 89.4% of nominal power at 25 years and 87.4% at 30 years. Every Solahart system is backed by a trusted Solahart Australia Warranty that offers the advantage of local on-the-ground support to deliver true peace of mind. With more than 70 years of solar experience and over 60 Dealerships across Australia, we're here for the long haul.

How you benefit:



RELIABLE DESIGN

Dual-glass n-type technology and quality construction for excellent performance in Australian conditions.



SAFE AND DURABLE

Dual-glass design enhances fire rating and is more resilient to micro-cracks for high durability.



HIGH PERFORMANCE

High energy produced per panel means you pay less for electricity generated.



VALUE FOR MONEY

Cost-effective panel solution for a high return on your investment.



SOLAHART WARRANTY

30-Year Solahart Product Warranty for peace of mind, plus, 30-Year Performance Guarantee for long term returns.*

Model	SOLAHART485DH2
-------	-----------------------

Electrical Data	
-----------------	--

Minimum performance at standard test conditions, STC⁽¹⁾ (Power Sorting 0 - +3%, Power Tolerance: +/-3.5%)

Power at MPP ⁽²⁾ - P _{MPP}	485 Wp
Short circuit current - I _{sc}	14.02 A
Open circuit voltage - V _{oc}	43.61 V
Current at MPP - I _{MPP}	13.23 A
Voltage at MPP - V _{MPP}	36.65 V
Efficiency ⁽¹⁾ - η	22.50%

Minimum performance at normal operating conditions, NMOT⁽³⁾

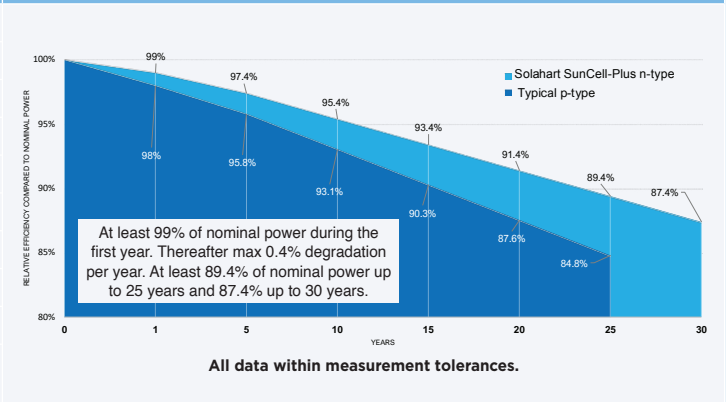
Power at MPP - P _{MPP}	364.7 Wp
Short circuit current - I _{sc}	11.32 A
Open circuit voltage - V _{oc}	41.42 V
Current at MPP - I _{MPP}	10.57 A
Voltage at MPP - V _{MPP}	34.49 V

Other Information	
-------------------	--

Part Number	SOLAHART485DH2
Solahart Product Warranty*	30 years
Performance Guarantee*	30 years
Country of Manufacture	China

Mechanical Data	Performance Guarantee
-----------------	-----------------------

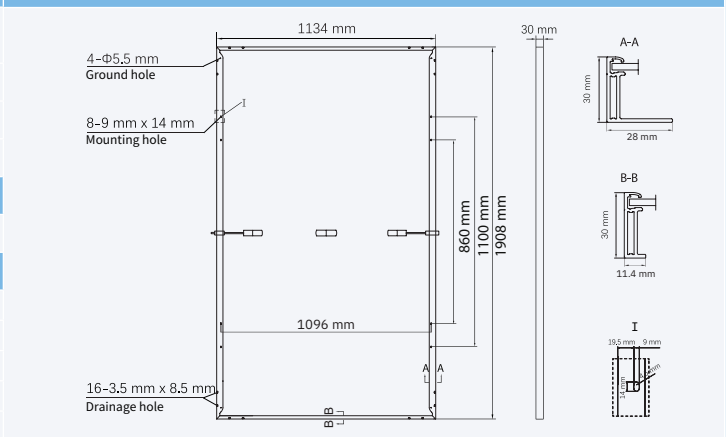
Dimensions (H x W x D)	1908 x 1134 x 30 mm (including frame)
Weight	23 Kg
Glass thickness	1.6 mm front and 1.6 mm back
Backsheet	White
Frame	Black Anodised Aluminium
Cell	6 x 20 n-type monocrystalline solar half-cells
Number of diodes	3
Junction box	Protection class IP68, with bypass diodes
Cable	4 mm ² solar cable; (+) 1300 mm, (-) 1300 mm
Connector	Stäubli MC4 EVO2 connectors (PV-KST4-EVO2A/xy, PV-KBT4-EVO2A/xy)



Temperature Coefficients	
--------------------------	--

Normal module operating temp (NMOT)	41±2°C
Temp coefficient of P _{MPP} - γ	-0.29%/°C
Temp coefficient of V _{oc} - β	-0.25%/°C
Temp coefficient of I _{sc} - α	+0.043%/°C

Dimensions - Measurements in mm	
---------------------------------	--



Qualifications and Certificates	
---------------------------------	--

IEC 61215: 2021; IEC 61730: 2016, Application class II.

Properties for System Design	
------------------------------	--

Max system voltage - V _{sys}	1500 V
Max reverse current - I _r	25 A
Max design load, Push/Pull	3600 / 1600 Pa
Max test load, Push/Pull	5400 / 2400 Pa
Fire rating based on IEC/UL	Class A

Specifications and designs included in this data sheet are subject to change without notice.

⁽¹⁾1000 W/m², 25±2°C, AM 1.5 G. ⁽²⁾Measurement tolerances P_{MPP} ±3.5 %; I_{sc} ±5 %, V_{oc} ±3.5 % at STC. ⁽³⁾800 W/m², NMOT, spectrum AM 1.5 G. * Typical values, actual values may differ.

*30-year Solahart Product Warranty covers certain defects with the Solahart SunCell Plus solar panels. Please refer to the 'Solahart PV Systems Owner's Guide' for full details, available on Solahart's website www.solahart.com.au. 30-year Performance Guarantee is provided by the manufacturer of the Solahart SunCell Plus solar panels and guarantees the maximum reduction in power output performance of the panels over a 30-year period. Neither the Solahart Product Warranty nor the Performance Guarantee are intended to exclude, restrict or modify your rights under the Australian Consumer Law.